

*Pure Freude  
an Wasser*

**GROHE**  
WAVE

# FIRST CLASS SEATS FOR EVERYONE

ENJOY THE SHOWER TOILET THAT CLEANS YOU WITH  
PURE, WARM WATER. **GROHE SENSIA ARENA**





## WASHING IS THE NEW WIPING.

### FORGET EVERYTHING YOU KNOW ABOUT TOILETS.

As of now, the GROHE Sensia Arena does everything better. It cleans you with warm water. It eliminates unpleasant odors. It has special hygienic coatings, and powerful flushing keeps the toilet clean. It can be controlled easily and conveniently via your smartphone or remote control. And its elegant design blends seamlessly into any bathroom. Step into the new age of toilets with the GROHE Sensia Arena – and enjoy that first-class clean feeling every day.



## A SMALL SHOWER THAT MAKES **A BIG DIFFERENCE.**

**CLEANING WITH WATER AFTER USING THE TOILET IS TRENDING ALL AROUND THE WORLD.** That should not come as a surprise because water is the most natural cleansing agent there is. It's also more pleasant, hygienic, and beneficial than anything else you know of. See for yourself and experience how everything feels vastly better thanks to a small shower arm.



# CLEANS WITH WATER. DISCOVER THE PLEASURE OF FEELING TRULY CLEAN.

**THE GROHE SENSIA ARENA CLEANS YOU THOROUGHLY AND HYGIENICALLY.** And always just the way you like it. Water temperature, spray pressure, and shower arms – all adjustable to your personal preferences.

You can choose between rear spray,<sup>1</sup> soft spray,<sup>2</sup> oscillating spray,<sup>3</sup> relaxing massage spray,<sup>4</sup> or separate lady shower spray arm<sup>5</sup> for the female intimate area. It's up to you to discover the setting that feels just right for you. One thing's for certain: once you've found it, you'll never want to go back to wiping.



# NOTHING SMELLS BETTER THAN NOTHING. THE COMFORT OF **ODOR ABSORPTION.**

**YOU CAN STOP WORRYING ABOUT BATHROOM SMELLS RIGHT NOW.** The GROHE Sensia Arena has automatic odor absorption. A ventilator creates a shielding layer of air to prevent odors from rising, and a second ventilator extracts them. The air is cleaned by a carbon filter before being released back into the environment.





## YOUR NEW WELLNESS PROGRAM.

**THE BATHROOM IS A PLACE WHERE YOU WANT TO FEEL COMFORTABLE AND RELAX.** That feeling is now available at the touch of a button – every day. The GROHE Sensia Arena transforms the everyday routine of a visit to the toilet into a miniature ritual of well-being thanks to its relaxing massage spray, oscillating action, and gentle lady shower for the female intimate area.



The massage spray allows you to alternate between soft and strong spray strength – for a soothing pulsating massage effect.



With gentle forward and backward motions, the oscillating spray offers an extended cleaning area and extra freshness.



The refreshing lady shower comes from a separate spray arm and has a softer and wider spray pattern for cleaning the female intimate area.



Unlimited warm water thanks to an integrated continuous-flow water heater.



# WHAT CLEANS BETTER THAN CHEMISTRY? **TECHNOLOGY.**

**FORGET ABOUT AGGRESSIVE CLEANERS AND UNSIGHTLY TOILET BRUSHES.** Thanks to our innovative AquaCeramic coating, rimless toilet design, powerful Triple Vortex flush, and our new PlasmaCluster, it gets hard for dirt and impurities to settle. Our HyperClean glaze reduces the buildup of bacteria by up to 99.9%, certified by the SIAA. Moreover, the shower arms with their exchangeable antibacterial spray nozzles clean themselves automatically before and after use, and they are protected behind a removable 99.9% antibacterial nozzle guard for total hygiene.



AquaCeramic creates a smooth hydrophilic layer on the ceramic surface, which ensures that nearly no dirt and limescale are left behind.



The HyperClean glaze uses silver ions to eradicate 99.9 % of germs, keeping your ceramic sparkling clean and germ-free.



The powerful Triple Vortex flush is exceptionally silent, thorough, and effective.



The spray arm heads clean themselves automatically before and after use.



PlasmaCluster eliminates germs and bacteria.



Ceramic materials proudly feature the SIAA (Society of Industrial Technology for Antimicrobial Articles) brand mark based on ISO for KOHKIN – stringent criteria for the antibacterial effect and the safety of the agent.



## YOUR **SMART HOME** IS ABOUT TO GET SMARTER.

**CONTROL YOUR SHOWER TOILET WITH FULL FLEXIBILITY.** Just use the GROHE Sensia Arena app to select your favorite cleaning settings and store them as your individual user profile. And if you don't have your smartphone with you, everything can be operated easily and conveniently using the remote control or the control panel on the seat.

Works with iOS and Android phones.\*



Download the GROHE Sensia Arena app from the Apple App Store or Google Play Store.

\* Not compatible with all devices



Manage and store your personal settings easily and conveniently using the smartphone app.



Alternatively, all functions can be managed with the remote control supplied.



Or just use the control panel on the seat itself.

# WELCOME TO YOUR NEW COMFORT ZONE.

**DISCOVER THE MOST COMFORTABLE AND HYGIENIC TOILET EXPERIENCE EVER.** The GROHE Sensia Arena opens and closes automatically. It cleans you with water and dries you with warm air. And its built-in night light automatically lights your way in the dark.



After the warm water, the dryer gets you nice and dry.



A gentle light helps you find your way in the dark.



Prompted by a motion sensor, the lid opens and closes automatically.



# DESIGN THAT SUITS YOUR STYLE.

**THE GROHE SENSIA ARENA SUITS ANY BATHROOM PERFECTLY.** Thanks to our sensitive intuitive design language, our products always feel as though they were designed especially for you. The GROHE Sensia Arena has received 14 design awards to date, including a Red Dot Award, an iF Design Award and a Green Good Design Award.

The GROHE Sensia Arena is intuitive. Like all our products, it's designed to make your life more attractive and, above all, simpler. So it won't just be love at first sight – you'll understand it completely at first glance.







## PERFECT MATCH.

**EVERYTHING MATCHES PERFECTLY AND SUITS YOU COMPLETELY.** The color, the surfaces, the taps, ceramics, and flush plates, all the way down to the last little accessory. Because we're a full-service outfitter, you can give free rein to your individual instincts and put together your ideal bathroom. A bathroom as distinctive as you are. Inspired by our unique GROHE SPA Colours collection, this is your chance to create your own personal place of well-being.

# FLUSHING AT ITS FINEST.

## THANKS TO PERFECT MATCH, THE GROHE SENSIA ARENA IS UNIQUE IN EVERY ASPECT.

Our wide selection of flush plates is the finishing touch, allowing you to customize the GROHE Sensia Arena to match your personal taste and your bathroom perfectly.

The models shown here are only a small selection.  
To view our complete range of flush plates, please visit [grohe.com](https://www.grohe.com)

### SPA COLOURS COLLECTION



**37 535 GL0**  
Cool Sunrise



**37 535 GN0**  
Brushed Cool Sunrise



**37 535 DA0**  
Warm Sunset



**37 535 DL0**  
Brushed Warm Sunset



**37 535 A00**  
Hard Graphite



**37 535 AL0**  
Brushed Hard Graphite



**37 535 BE0**  
Polished Nickel



**37 535 EN0**  
Brushed Polished Nickel



# THE GROHE SENSIA ARENA. ALL THE FEATURES – **AT A GLANCE.**

## CLEANER



Twin shower arms



Rear spray



Rear soft spray



Lady shower



Massage spray



Oscillating spray



Unlimited warm water supply



Odor absorption

## MORE HYGIENIC



AquaCeramic



HyperClean



Triple Vortex



Automatic self-cleaning of the spray arms



PlasmaCluster



Pre-flush <sup>1</sup>

## MORE CONVENIENT



Dryer



Night light



Automated lid



Smartphone app



Remote control



Control panel on the seat



Descaling



Automatic flush <sup>1</sup>

<sup>1</sup>Optional feature, in combination with product 46 944 001





Rear spray



Lady shower



Massage spray



Oscillating spray



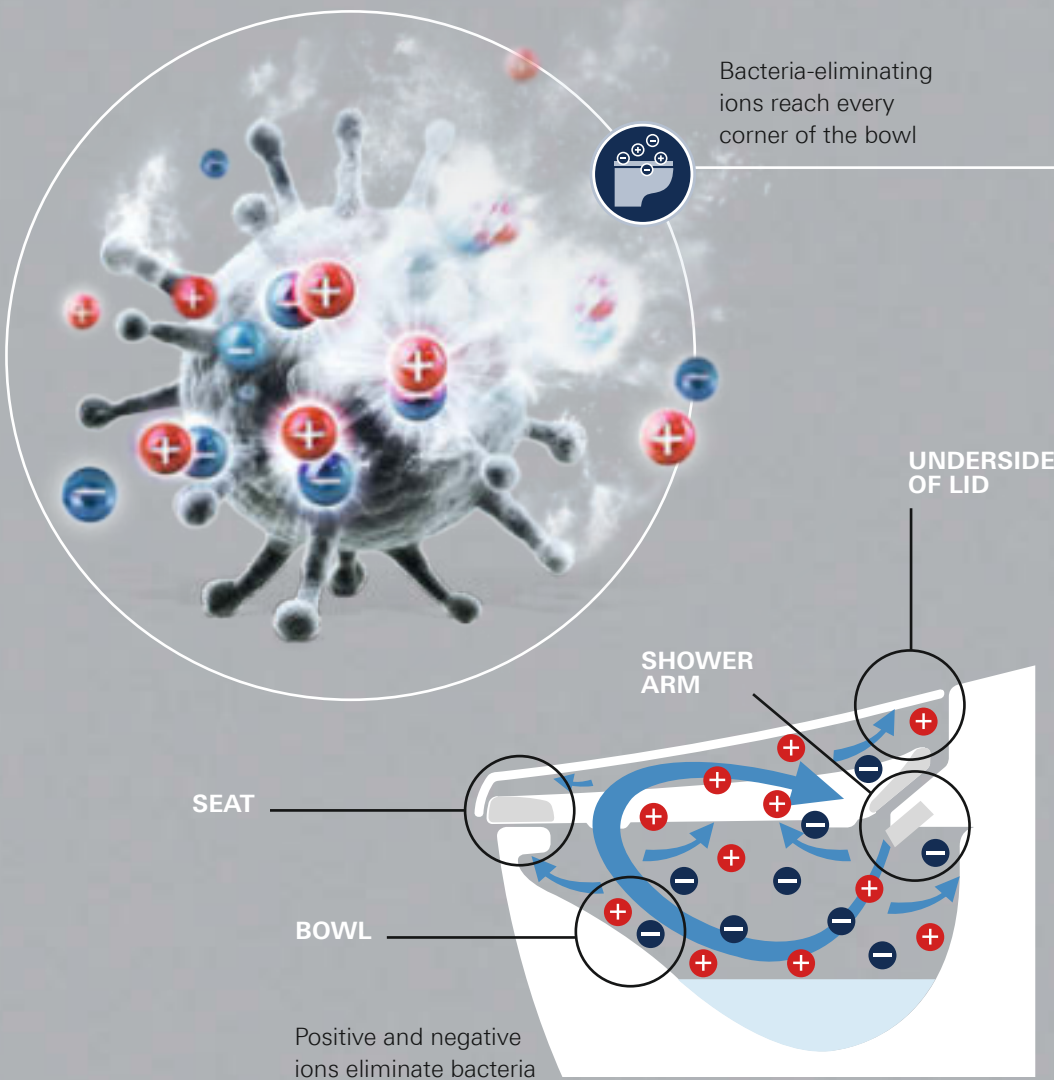
Odor absorption



Twin shower arms

# A NEW DIMENSION OF HYGIENE: **PLASMACLUSTER.**

**LET IONS CLEAN YOUR TOILET.** Our PlasmaCluster<sup>1</sup> technology removes bacteria, even those hiding in the farthest corner of the bowl or the ceramic surface. It does this through releasing positive and negative ions, which make the bacteria harmless upon contact. Turn science into comfort with this natural technology and experience a cleaner and healthier toilet.



<sup>1</sup> PlasmaCluster and the PlasmaCluster logos are registered trademarks of Sharp Corporation.



# FROM WORLD-CLASS HOTELS TO YOUR BATHROOM.

Many of the best hotels around the world have already selected the GROHE Sensia Arena.  
Be inspired and bring some luxury into your bathroom too.



**LA CHENEAUDIÈRE,**  
COLROY-LA-ROCHE,  
FRANCE

PHOTOGRAPHY: Noshe



PHOTOGRAPHY: Noshe



PHOTOGRAPHY: Jonathan Saviole

This five-star spa hotel offers visitors a welcome break from their everyday lives and sports a design as naturally elegant as the mountain vistas surrounding it.



**WALDORF ASTORIA,**  
BERLIN,  
GERMANY

PHOTOGRAPHY: Nosh



Elegant and ageless, this branch of the classic New York chain is housed in a skyscraper overlooking the world-famous Berlin Zoo.



PHOTOGRAPHY: Maarten Willemstein

With an eclectic mix of vintage and contemporary design that suggests the home of a well-traveled friend, this hotel offers guests the perfect place to watch the sunset.



**VESPER HOTEL,**  
NOORDWIJK,  
NETHERLANDS



# SIMPLE AND QUICK INSTALLATION.

**FIT YOUR SHOWER TOILET TO A NEW BATHROOM OR WITHIN YOUR EXISTING SCHEME – IT'S ALL BEEN DESIGNED TO BE SO EASY.** GROHE Rapid SL frame is designed for swift installation behind the wall, neatly concealing everything you need to run your shower toilet. It can be installed over existing tiles or for new schemes. With GROHE's glass module you can pick from a Velvet Black or MoonWhite safety glass module that conceals the water supply.



- [1] Connection box for water supply Sensia IGS and Sensia Arena
- [2] Water connection for Sensia IGS
- [3] Protection block for flush pipe and waste bend (as well as mounting pattern for tiler)
- [4] Integrated fixing point for electro cable Sensia Arena
- [5] Conduit pipe to guide the water connection hose

# FOR MODERN CONCEALED INSTALLATIONS.

**THE NEW GLASS COVER COMBINES NOBLE MATERIALS WITH HIGH FUNCTIONALITY.** The cosmopolitan design creates a modern clean look in every bathroom with an ultra-slim design provided by an evenly built-in actuation. It is the ideal solution for when you want to upgrade your regular toilet to the Sensia Arena shower toilet, enabling an invisible connection without damaging the tiles.



**39 374 KS0**  
Glass Cover  
Skate Cosmopolitan  
Velvet Black



**39 374 LS0**  
Glass Cover  
Skate Cosmopolitan  
MoonWhite

# DESIGN YOU CAN COUNT ON.

Facts and figures that guarantee a perfect match.

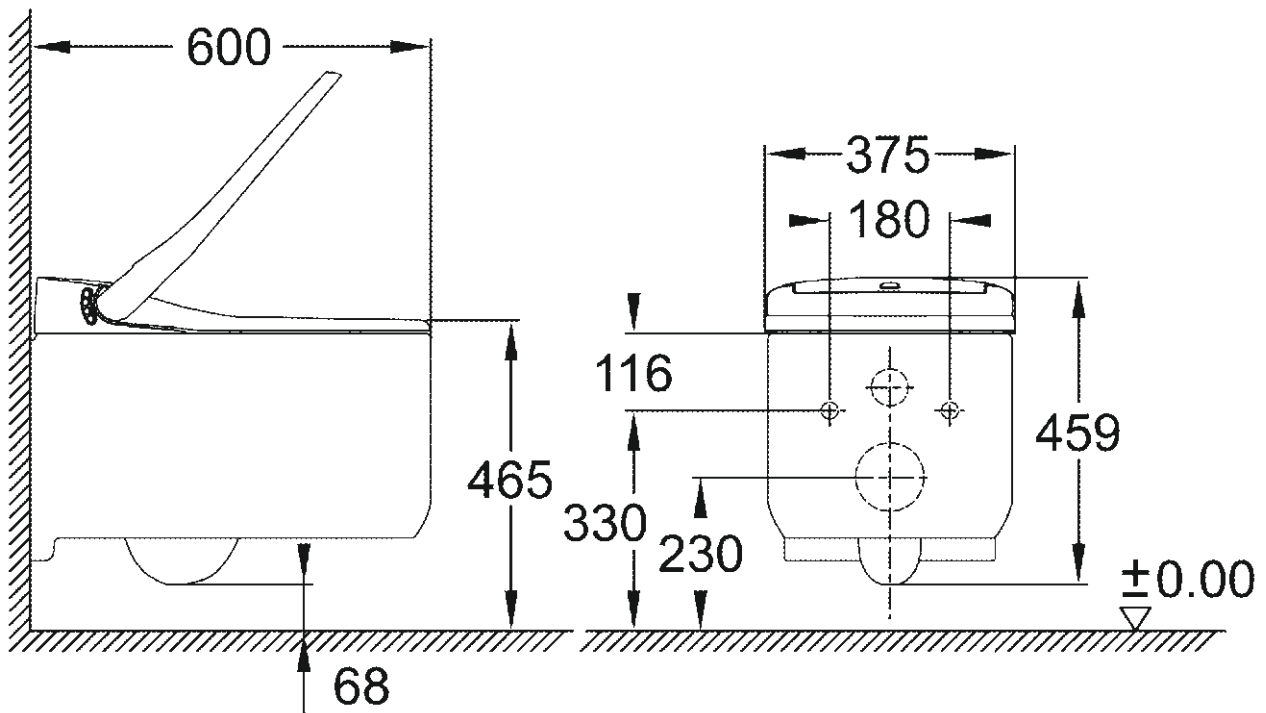


**39 354 SH1**  
**Sensia Arena** shower toilet  
wall-mounted

**optional:**  
Automatic flushing upgrade kit 46 944 001



**Remote Control**  
Control every function of the GROHE Sensia Arena with the intuitive remote control, which can be wall-mounted within arm's reach.





# QUALITY DOWN TO THE LAST DETAIL.

## CONSUMPTION

Flushing water volume Full/half flush (l)	5 l/3 l
Energy consumption (standby) (W)	< 0.5 W
Rated power consumption	850 W
Spray water flow rate (Rear spray/lady shower)	0.4 – 0.5 (l/min)

## CONNECTIONS

Water pressure	0.5 – 10 bar
Water connection	3/8"
Outlet direction	P (horizontal)
Power supply	220 – 240 V AC
Frequency	50/60 Hz

## COMFORT

Water temperature	32 – 40 °C
Dryer temperature	40 – 55 °C
Dryer air flow rate	23 m <sup>3</sup> /h
Odor absorption air flow rate	2.4 m <sup>3</sup> /h
Warm water supply	Unlimited
Weight (kg)	41.5 kg (product), 49.5 kg (total package)

## CERTIFICATION

IP class	IPx4
	DVGW
	EN 1717
	CE
SIAA (antibacteria)	Type of antibacterial agent used: inorganic anti-bacterial agent
	Method of antibacterial treatment: firing
	Anti-bacterial treatment portion: water flowing surface
	Registration number: JP0122008A0038Z



## 5 GOOD REASONS TO UPGRADE YOUR BATHROOM.

### 1. FEEL PERFECTLY CLEAN.

Having pure, warm water cleaning you at the push of a button.

### 2. ULTIMATE HYGIENE.

The shower arms are rinsed with water before and after every usage.

### 3. COMFORT ZONE.

Integrated odor absorption eliminates bad smells.

### 4. TOUCH-FREE.

The lid opens automatically without having to touch it.

### 5. EASY TO CLEAN.

Thanks to a rim-free design, Triple Vortex flushing, an antibacterial coating, and the new PlasmaCluster.

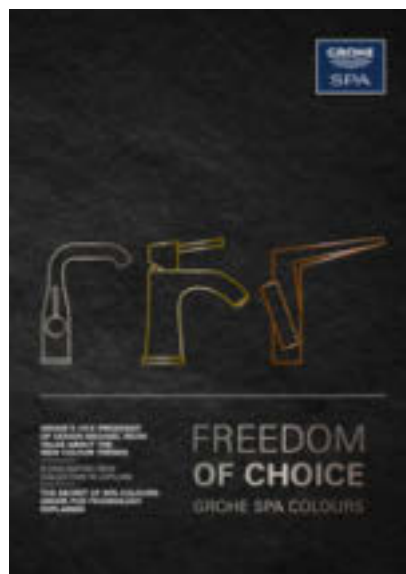
# DISCOVER THE WORLD OF GROHE

What you see here represents just a small selection of what the world of GROHE has to offer. Whether you are looking for ideas and inspiration or solutions for bath and kitchen, here's where you'll find it.

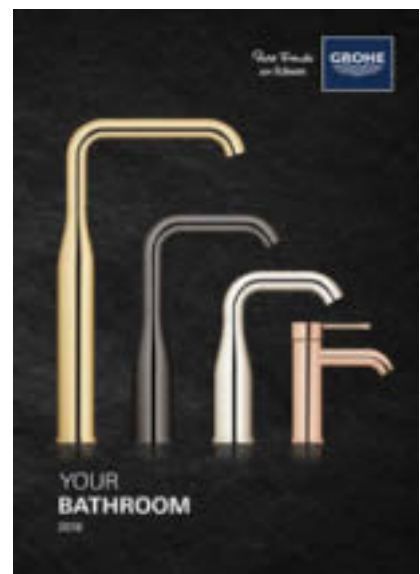
Just scan the QR codes to view the latest brochures as download or PDF on your tablet or smart phone.  
**Or visit the world of GROHE at [grohe.com](http://grohe.com)**



CERAMICS BROCHURE



SPA COLOURS BROCHURE



BATH BROCHURE



Follow us



## QUALITY

*"No.1 most trusted brand  
in the sanitary industry" –  
Wirtschaftswoche, 2017*



## TECHNOLOGY

*"Top 50 companies  
to change the world" –  
Fortune Magazine, 2017*



## DESIGN

*Over 350 design awards  
won since 2003*



## SUSTAINABILITY

*CSR Award winner of the  
German Government, 2017*

Grohe AG  
Feldmühleplatz 15  
D - 40545 Düsseldorf  
Germany

© 11/2018 – Copyright by GROHE

PART OF LIXIL